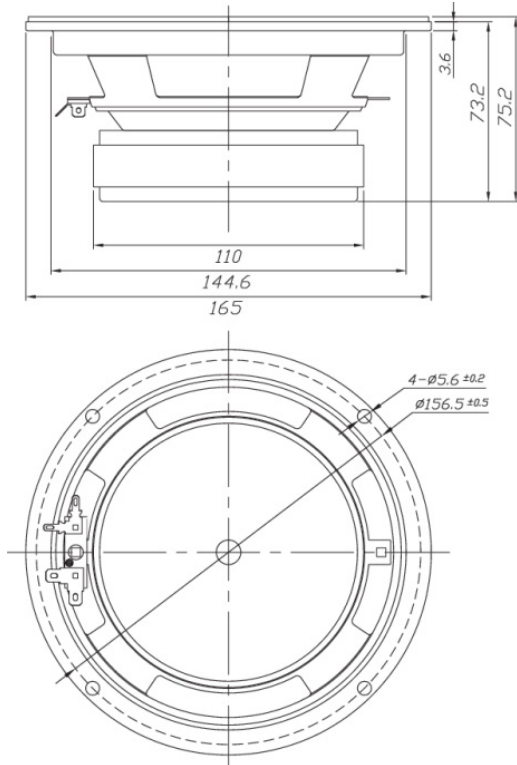




PA165-8 6" PA Driver Speaker 8 Ohm



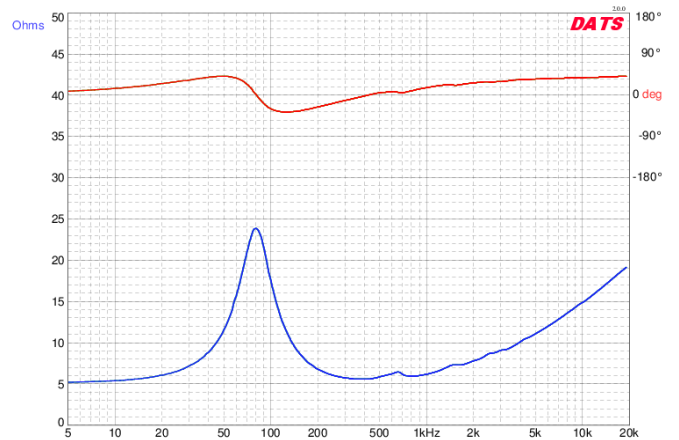
PARAMETERS

| | |
|-----------------------------|-----------------------|
| Impedance | 8 ohms |
| Re | 5.15 ohms |
| Le | 0.54 mH @ 1 kHz |
| Fs | 80.8 Hz |
| Qms | 2.19 |
| Qes | 0.60 |
| Qts | 0.47 |
| Mms | 9.2g |
| Cms | 0.42 mm/N |
| Sd | 120.8 cm ² |
| Vd | N/A |
| BL | 6.33 Tm |
| Vas | 9.2 liters |
| Xmax | 0 mm |
| VC Diameter | 35 mm |
| SPL | 92.9 dB @ 2.83V/1m |
| RMS Power Handling | 75 watts |
| Usable Frequency Range (Hz) | 80 - 5,000 Hz |

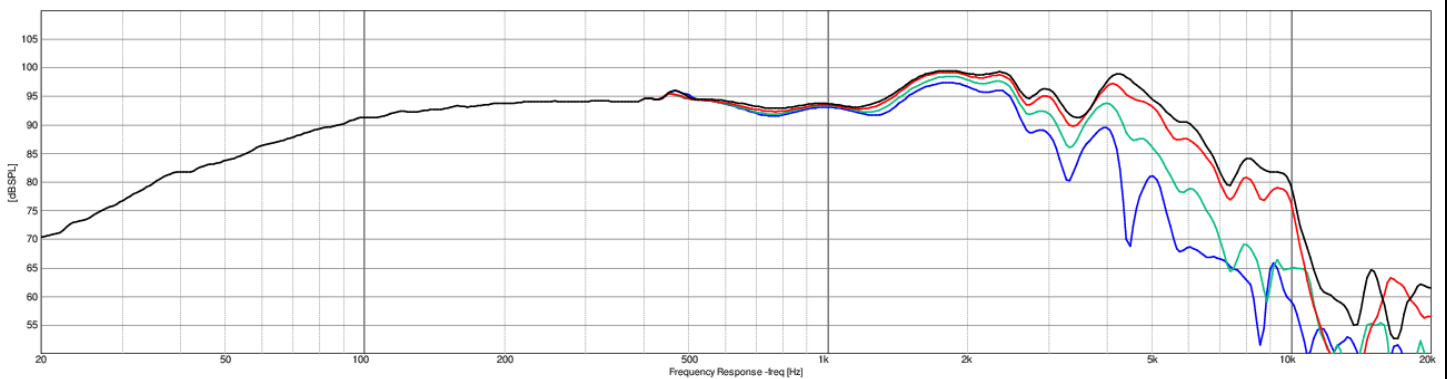
FEATURES

- High power and efficiency for extreme output
- Perfect for use as a high output midrange or midbass
- Even hung voice coil to maximize efficiency
- Naturally damped paper cone and cloth surround

IMPEDANCE/PHASE



FREQUENCY RESPONSE



Note: 1/24th octave smoothing - nearfield response included in graph below 450 Hz.

Black = 0°
Red = 15°
Green = 30°
Blue = 45°