

Winn Scandinavia AB



A50BT

Winn Scandinavia AB

Warranty

Your amplifier is covered by a limited warranty against defects in materials and workmanship for a period of 1 year from the original date of purchase. This warranty is provided by the authorized dealer or factory, wherever the amplifier was purchased. Warranty repair will be performed only when your purchase receipt is presented as proof of ownership and date of purchase. Defective parts will be repaired or replaced without charge by your dealer's store or the location designated by Sound authorized to service Sound products. Charges for unauthorized service and transportation cost are not reimbursable under this warranty. This warranty becomes void if the product has been damaged by alteration, misuse or neglect. Sound assumes no liability for property damage or any other incidental or consequential damage whatsoever which may result from the failure of this product. Any and all warranties of merchantability and fitness implied by law are limited to the duration of this express warranty. Some states do not allow limitations on how long an implied warranty lasts, so the above limitations may not apply to you. Some states do not allow the exclusion or limitation of incidental or consequential damages, so the above limitation or exclusion may not apply to you.

Specifications

Model	A50BT
Power Supply:	AC 110V ~ 240V 50/60Hz
Rated Output Power:	100W (50W x 2) @ 4 Ohms 50W (25W x 2) @ 8 Ohms
Frequency Response:	20Hz ~ 20kHz
Minimum Impedance:	4 Ohms
Bluetooth Range:	33 feet (10 Meters)
Dimensions:	7-1/2" W x 5-1/2" D x 2" H (190mm W x 139mm D x 52mm H)
Weight:	2.87 lbs. (1.3 Kg)

Troubleshooting

Situation:	Probable Cause:
No power.	<ol style="list-style-type: none"> 1. Power cord is disconnected. 2. Poor connection at the power socket or the power socket is inactive.
No sound.	<ol style="list-style-type: none"> 1. Switch source input from Bluetooth to Optical, or any other source, and back to Bluetooth to refresh the signal connection. 2. The speakers are disconnected. 3. Volume control set to lowest setting. 4. Check for damaged signal cables. 5. Check if the LEDs are blinking. If not, power cycle the amplifier and ensure the LED display is in standby. If the amplifier still doesn't work, contact customer service.
Suddenly no sound during operation.	<ol style="list-style-type: none"> 1. Check if the audio source works. 2. Product may have entered into over-heat protection mode, check if LED is orange. If orange, let amplifier cool down and it will automatically restart.
Poor sound.	<ol style="list-style-type: none"> 1. Audio source problem. 2. Bad or incorrect speaker connection. 3. Treble and bass control are too low.
LED off.	<ol style="list-style-type: none"> 1. Check if the amplifier is connected to the power outlet, confirm power with a voltage meter.
Disconnects from Bluetooth device.	<ol style="list-style-type: none"> 1. If signal is not detected for a period of time the amplifier will enter standby mode and the power indicator will turn red. To get out of standby mode use the remote or front control switch to switch source input from Bluetooth to Optical, or any other source, and back to Bluetooth to refresh the signal connection.

Important Safety Instructions



The lightning flash with the arrowhead symbol within an equilateral triangle, is intended to alert the user to the presence of un-insulated "dangerous voltage" within the product enclosure that may be of sufficient magnitude to constitute a risk of shock to persons.



The exclamation point within an equilateral triangle is intended to alert the user to the presence of important operating and maintenance (servicing) instructions in the literature accompanying the product.

When using your amplifier basic safety precautions should always be followed to reduce the risk of fire, electric shock, and injury.

1. Do not open the amplifier, attempt any modifications or repairs. There are extremely high voltages present and any servicing must be referred to RBH or an authorized qualified technician.
2. Opening the amplifier will void the warranty.
3. To prevent shock or fire hazard, never permit moisture or any liquid to get into the amplifier. If an accidental spill occurs, immediately shut off the power, unplug its AC power cord and seek a qualified technician for repair.
4. To reduce the risk of electric shock, do not remove the cover (or back). No user serviceable parts inside of amplifier.
5. All safety instructions should be read before this amplifier is operated. Please retain these safety instructions for future reference. All warnings on the amplifier and in this manual should be adhered to.
6. The amplifier should be placed so its location or position provides proper ventilation on all sides of the amplifier on a solid surface.
7. The amplifier should only be connected to a power supply type described in this manual or as marked on the amplifier.
8. Power supply cords should be routed so they will not be pinched or walked on.
9. The amplifier should never be exposed to any liquids of any kind or objects filled with liquids (vases or plants)

RECYCLING: This product's packaging materials are recyclable and can be reused. This product and the accessories packed together are the applicable product to the WEEE directive except batteries. Please dispose of any materials in accordance with your local recycling regulations. When discarding the unit, comply with your local rules or regulations. Batteries should never be thrown away or incinerated but disposed of in accordance with your local regulations concerning chemical wastes.



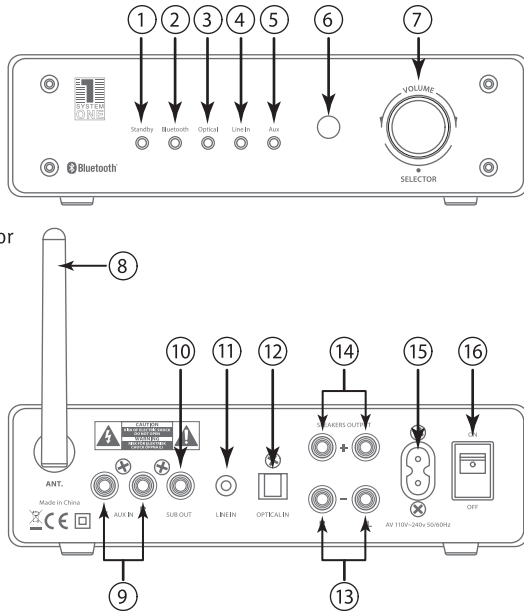
Introduction

Congratulations on your purchase of Bluetooth® Stereo Amplifier! This manual contains features, setup recommendations and specifications for the Stereo Amplifier. We recommend you thoroughly read through the material contained in this manual before connecting your amplifier. This will ensure you have a good understanding of how to setup your amplifier for optimum performance and allow for years of listening enjoyment.

BT-100 Bluetooth® Stereo Amplifier

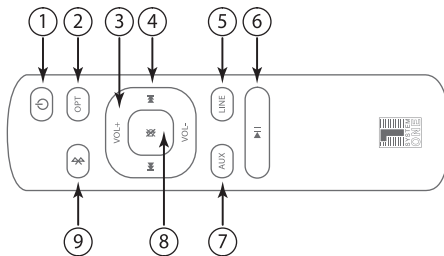
AMPLIFIER

1. Power Indicator
2. Bluetooth® Indicator
3. Optical Indicator
4. Line In Indicator
5. AUX Indicator
6. Remote Sensor
7. Volume Knob/Input Selector
8. Antenna
9. RCA L/R
10. SUB Out
11. Line In
12. Optical Input
13. Speaker Output - L/R
14. Speaker Output + L/R
15. Power Input
16. On/Off Switch



AMPLIFIER REMOTE:

1. On/Off Button
2. Optical Source
3. Volume +/-
4. Previous/Next
5. Line In Source
6. Play/Pause
7. AUX Source
8. Mute
9. Bluetooth Source



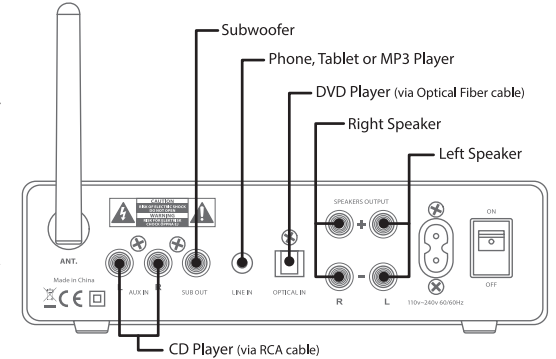
Care and Cleaning

To maintain the amplifier's appearance, it is recommended use of a dry or slightly-damp soft cloth to keep the exterior of the amplifier free from dust, lint or dirt. When cleaning the amplifier, make sure the amplifier is turned off.

Connecting and Operating the Amplifier

Connecting the Amplifier:

- Connect your self-powered subwoofer to SUB OUT.
- Connect your CD player or other media player via its RCA cable to the AUX IN L/R input. Make sure you connect the "L" plug to the left input channel and the "R" plug to the right input channel.
- Connect your phone, tablet or MP3 player via an AUX cable to LINE IN.
- Connect your DVD player or other optical digital audio source via its SPDIF optical cable to the OPTICAL IN input.
- Connect your speakers to the SPEAKERS OUTPUT. Make sure you connect the -/+ and the L/R cables to the correct output.



NOTE: Remember to press the desired source button on the remote control for the audio source to work, see illustration of remote control on the previous page.

Operating the Amplifier:

1. Connect the power cord to the back of the amplifier then connect it to a power outlet.
2. Connect your devices to a suitable input, see the illustration above.
3. Turn the power switch to the On position; after two seconds, the unit will enter working status and the power indicator will light blue. If a signal is not detected for a period of time the amplifier will enter "standby mode" and the power indicator will light red.
4. Press the Bluetooth, OPT, LINE or AUX button on the remote or press the amplifier's volume knob to choose a audio source, see illustration of remote on the previous page.
5. Control the playback via the remote control.

WARNING: The amplifier will shut off automatically if the temperature exceeds 85°C, and the power indicator will turn orange. The amplifier will re-start automatically when the temperature has dropped below 60°C ±10°.

Bluetooth Pairing:

1. Press the Bluetooth button on the remote control to activate the Bluetooth input.
2. Activate Bluetooth on your phone or tablet and scan for new Bluetooth devices.
3. When your phone or tablet finds "RBH BT-100", choose this unit and begin pairing.