



CTKFT29

Complete Installation Kit for Fiat vehicles



IN THE KIT

- | | | | |
|------|------------------------------------|-----|----------------------|
| i. | Double DIN Fascia | iv. | Antenna Adapter |
| ii. | Cage, Brackets & Accessories | v. | DAB Antenna Adapter |
| iii. | Steering Wheel Interface & Harness | vi. | Universal Patch Lead |

Designed and
Engineered
in the UK. 

APPLICATION

Note: Application data is subject to change at any time

Fiat Ducato (8 Series) 2021 - UP

Please Note: this kit is for open dash vehicles only.

FEATURES

- Allows for the installation of a double DIN aftermarket stereo
- Comes complete with accessories for fitment of single/double DIN stereo
- Retains steering wheel control functionality
- Includes additional accessories including antenna adapters and patch lead
- Finished in black to match the vehicles dashboard

DISCLAIMER

The information provided in this document is subject to change without notice due to manufacturer changes and/or improvements to the product/s. This instruction manual is based on documented data and research. The manufacturer of this product cannot be held responsible for any changes made to the vehicle by the manufacturer or damages that may occur through the installation of this product in accordance with the steps outlined herein.

PRODUCT INFORMATION

The **CTKFT29** is a complete installation kit that allows for the fitment of an aftermarket head unit into the OEM dashboard of Fiat Ducato (8 Series) vehicles. The interface provided helps retain steering wheel control functionality. The lead features plug-and-play connectors for an easier installation process. Also provided are two antenna adapters, one for FM and one for DAB signals. The kits comes with a universal patch lead, to ensure compatibility with almost any head unit on the market.

Note: this kit is intended for open dash vehicles only.

WIRING KEY

IN ISO CONNECTOR

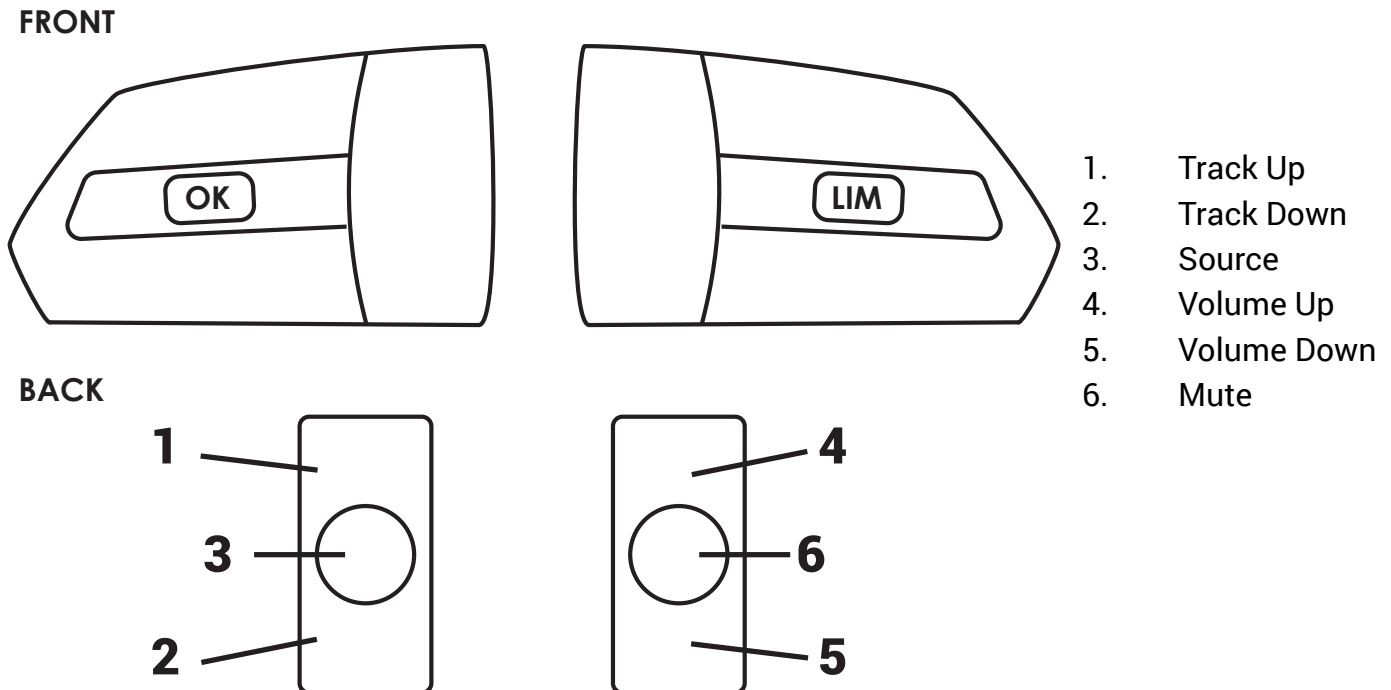
Purple	Right Rear Speaker +	Yellow	Permanent 12V
Purple/Black	Right Rear Speaker -	Black	Ground
Green	Left Rear Speaker +	Red	Ignition 12V
Green/Black	Left Rear Speaker -	Orange	Illumination
Grey	Right Front Speaker +	Blue	Antenna Remote
Grey/Black	Right Front Speaker -		
White	Left Front Speaker +		
White/Black	Left Front Speaker -		

ADDITIONAL CONNECTIONS

None

STEERING WHEEL CONTROL FUNCTIONALITY

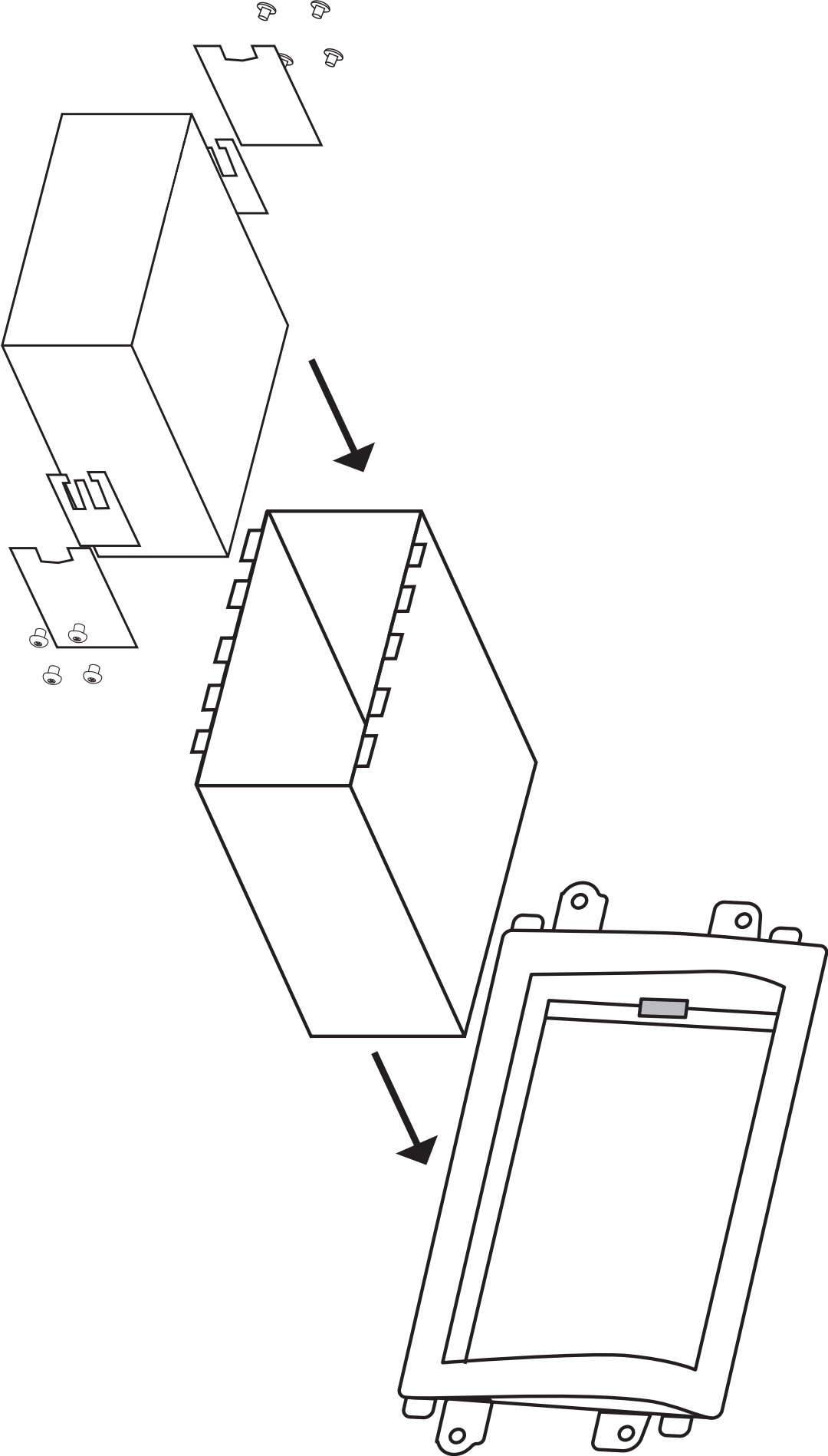
The following diagram, though based on careful research, is an example only. Individual steering wheel control configurations may differ.



Please note: Steering wheel controls dealing with car menus and cruise control on the front are unaffected. Controls on front dealing with phone control are not retained.

Need help? Visit support.connects2.com/tickets/technical

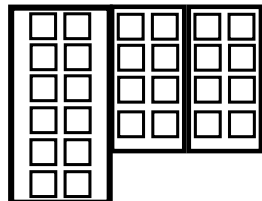
FASCIA DIAGRAM



WIRING DIAGRAM

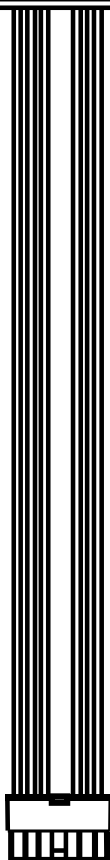
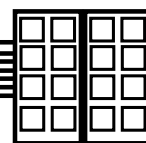
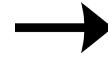
Mini ISO Connector

Connect to relevant connectors from vehicle



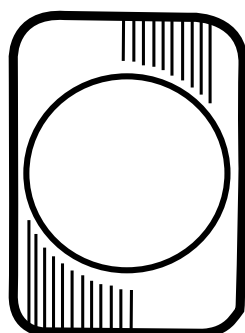
ISO Connector

Connect to new stereo

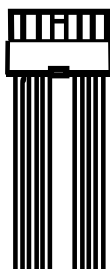


Main Wiring Loom Connector [14 Pin]

Connect to Interface Box



Interface Box



Stereo Connection (Patch) Lead Connector [12 Pin]

Connect to Interface Box



Note: Must be connected first, before power connection is made to the interface

PRIOR TO INSTALLATION

Read the manual prior to installation. Technical knowledge is necessary for installation. The place of installation must be free of moisture and away from heat sources. Please ensure that the correct tools are used during the installation to avoid damage to the vehicle or product. **Connects2 can not be held responsible for the installation of this product.**

INSTALLATION GUIDE - FASCIA

DASH DISASSEMBLY

1.



Begin by using a panel removal tool to unclip the two pockets that sit where the main head unit would normally sit.

2.



Use the panel removal tool to unclip the entirety of the side air vents. Once free, simply pull them out of the dashboard and set them to one side.

3.

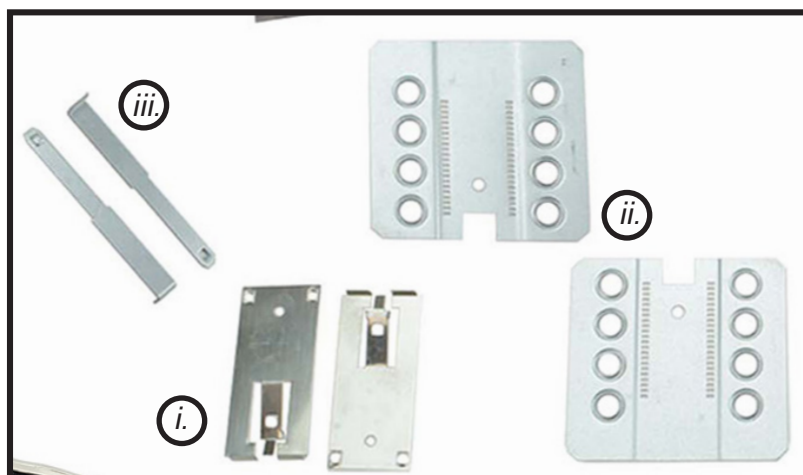


With the air vents removed, you will then need to undo the 4x screws that surround the main fascia. Once undone, simply pull the fascia away from the dashboard.

INSTALLATION GUIDE - FASCIA

BRACKET ASSEMBLY

4.



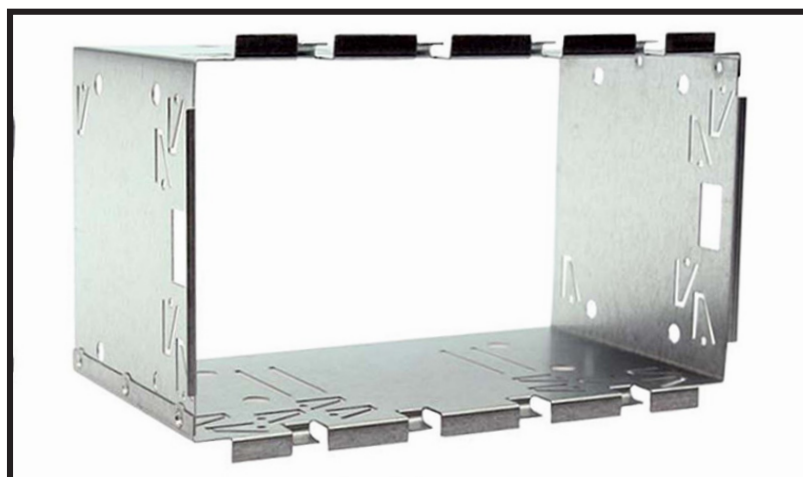
The brackets within the kit consist of a set of spacers (*i.*), a set of plates (*ii.*) and a set of release keys (*iii.*). This set up allows you to set a precise depth to the brackets.

Take the spacers and place them on the inside of the plates. When lined up, attach the assemblies to both sides of the head unit (**screws not provided**).

Once placed, you can insert the head unit into the cage/fascia to gauge the correct depth and use the release keys if incorrect.

DASH ASSEMBLY

5.



Take the cage from within the kit and place it within the new fascia, locking it into place using the tabs surrounding the outside.

6.



With the cage in place, and the head unit connected correctly, proceed to slot the radio into the dashboard until it clips into place. Carry on to finish the installation by placing the trim around the head unit and re-assembling the dashboard in reverse order.

INSTALLATION GUIDE - WIRING

See Wiring Diagram on Pg.4 for more information

Before installing the interface, the factory stereo must be removed and disconnected. To do this, please consult the vehicle owner's manual/handbook or contact a fitting professional.

For universal patch leads, prepare the wiring loops in accordance with the instruction manual supplied before installation.

1. Connect the 12 Pin connector from the stereo connection (patch) lead to the interface box.
2. Connect the opposite end of the stereo connection (patch) lead to the steering wheel control input on the back of the aftermarket stereo.

NOTE: This may be a 3.5mm jack connector or a wired input depending on the brand of aftermarket stereo being fitted. Please consult the aftermarket stereo installation manual for further information on where to make the connection.

**IMPORTANT: THIS STEP MUST BE COMPLETED BEFORE CONNECTING POWER TO THE INTERFACE.
FAILURE TO DO SO MAY RESULT IN A LACK OF FUNCTIONALITY AND THE NEED TO REINSTALL THE PRODUCT**

3. Connect the 14 Pin connector from the supplied wiring loom to the interface box.
4. Connect the power/speaker ISO connector to the power/speaker ISO connector at the rear of aftermarket stereo.
Note: For aftermarket stereos which do not have an ISO connector, please see 'Wiring Key' on Pg.2 for information on which wires to connect.
5. Connect the Mini ISO connector on the supplied harness to the OEM connector from the vehicle.
6. Connect the vehicle specific antenna supplied between the OEM connector from the vehicle and the rear of the new stereo.
7. Connect the fakra DAB antenna supplied to the OEM connector from the vehicle, then proceed to plug the SMB connection to the rear of the new stereo.
8. Test stereo and steering wheel control functionality for correct operation before reassembling the vehicle dashboard. If steering wheel control functions are unresponsive, please uninstall the interface and wiring and reinstall carefully in accordance with the above steps.

*For further help, please contact and fill out a support ticket with the full details of your issue at:
support.connects2.com/tickets/technical*

NOTES
