

6. Connect all required circuit points
Place head unit on dash board

Fix it with 4 screws



7. Clip fascia plate to dash board until it snaps in.

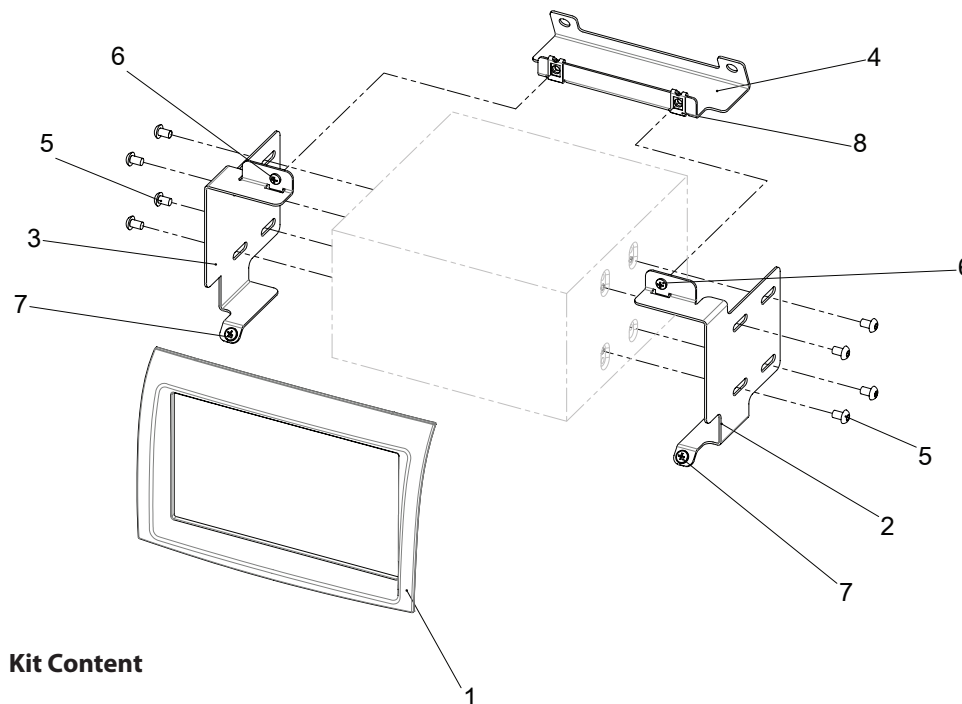


Installation Manual

- Fiat Ducato 06/2006 -> (open dash) Type 250* Colour: black
*Not for models with SONY OEM head unit Part-No.: 381094-29-1

Compatible with these Double-DIN devices

Double DIN navigation



Kit Content

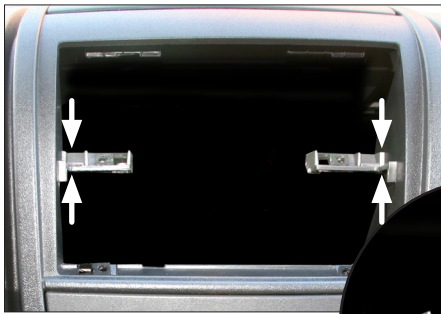
- | | |
|----------------------------|--|
| (1) fascia plate | (5) flat headed screw |
| (2) mounting bracket right | (6) self-tapping convex fillister head screw |
| (3) mounting bracket left | (7) self-tapping screw with collar |
| (4) mounting plate | (8) speed nut |

*All installation work must be performed by a qualified professional installer only.
The manufacturer / dealer is not liable for any kind of incidental or indirect damages.*

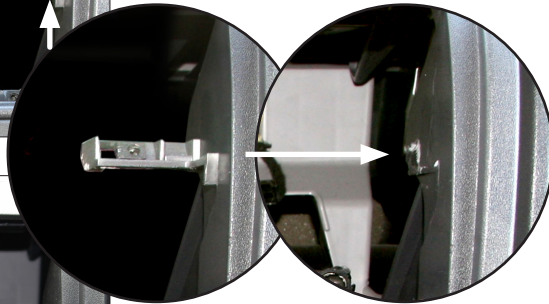


1. Remove OEM head unit and pocket

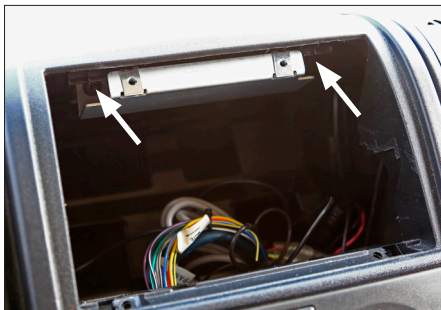
Special tools like radio release keys may be required.



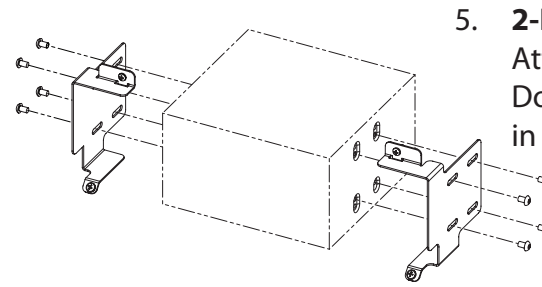
2. Cut away original brackets (marked with arrows) with appropriate tools to clear space



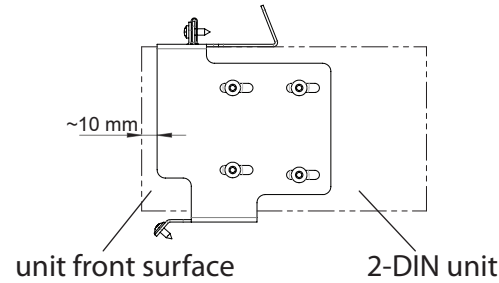
3. Ducato dashboard after cutting away brackets



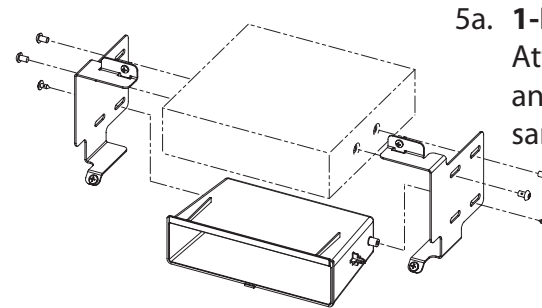
4. Assemble speed nuts on mounting plate
Install mounting plate on top of dash board hole.



5. **2-DIN version only:**
Attach mounting brackets to Double-DIN head unit as shown in the sample graphic

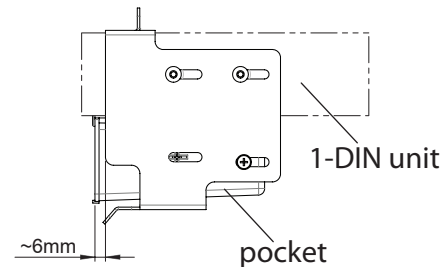


We recommend to leave app. 10 mm space to the unit front surface



- 5a. **1-DIN version only:**
Attach mounting brackets to pocket and 1-DIN head unit as shown in the sample graphic

pre-assembly Brackets



We recommend to leave app. 6 mm space to pocket