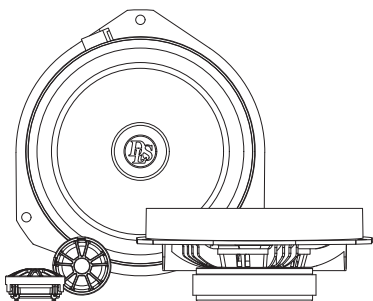


CRPP-1.6

User manual

Citroën / Fiat / Peugeot





Welcome to DLS!

Thank you for buying a DLS Cruise CRPP-1.6. For us, it's all about the sound experience. We care deeply about sound and construction quality. In order for your experience to be as optimal as possible, it is important that you fully read this manual, preferably before you start your installation. Keep the manual in a safe and accessible place for future reference.

Your speakers must be installed correctly in order to work as intended. Make sure you have all necessary tools nearby before starting and that you are completely confident in how to proceed. If you feel the slightest uncertainty; feel free to take the help of an experienced installer or a car audio dealer.

Warranty

This component kit is covered by warranty, depending on the conditions in the country where it is sold. If the speaker is returned for service, please include the original dated receipt with the product.

General

Some sound systems may vary in size of the door speaker. Make sure that your vehicle has the same size as this kit, before you start the assembly

This is a generic mounting instruction. The approach is similar to all of the described car models. Some screws and clips may be placed differently and depending, if the tweeter is placed in the A-pillar or side mirror, the course of action may vary.

Declaration of conformity

DLS plug and play speakers for vehicles are manufactured in accordance with the EU directive EEC 95/54 (72/245/EEC) and are marked with the approval number. They are also marked in accordance with the WEEE-directive 2012/19/EC. The products are also produced in accordance with the EU RoHS directive 2015/863/EU.

DLS CRUISE

CRPP-1.6

Content

Welcome	2
Pre installation	3
Dismounting door panel	3
Removing woofer	3
Changing woofer	4
Removing tweeter	4
Changing tweeter	4
Crossover	4
Running-in time	5
Technical assistance	5
Specification woofer	6
Specification tweeter	6-7
Compatible car models	8
Product markings	9

DLS speakers are engineered by DLS Sweden, a part of:

Winn Scandinavia AB

Elementvägen 15 - SE-702 27 Örebro - Sweden

Tel: +46 19 20 67 65 - E-mail: info@dls.se

www.dls.se

Designed & Sound tuned in Sweden.



Included products:

2pcs Woofer
2pcs Tweeter
2pcs Crossover

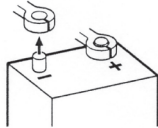
Included in box:

2pcs Woofer
2pcs Tweeter
2pcs Crossover
2pcs Included bottom adapter
2pcs Flat-bottom adapter
2pcs Woofer connection line (for loose ends)
2pcs Tweeter connection line (for loose ends)
4pcs Adhesive foam with NC function
8pcs Terminal crimp connectors
4pcs Foam for wrapping
4pcs Screw
2pcs Adhesive for tweeter inclined adapter
8pcs Blind rivet
1pcs Rivet Tool
1pcs Manual

Pre installation

Disconnect Battery

Before you start the process of replacing speakers, disconnect and secure the negative terminal from your battery/power source. This will prevent the risk of damaging yourself or the products.



Place the disconnected terminal in a secure and isolated location away from any possible connection belonging to the battery/power source system.

General info

Some sound systems may vary in size of the door speaker. Make sure that your vehicle has the same size as this kit, before you start the assembly

This is a generic mounting instruction. The approach is similar to all of the described car models. Some screws and clips may be placed differently and depending, if the tweeter is placed in the A-pillar or side mirror, the course of action may vary.

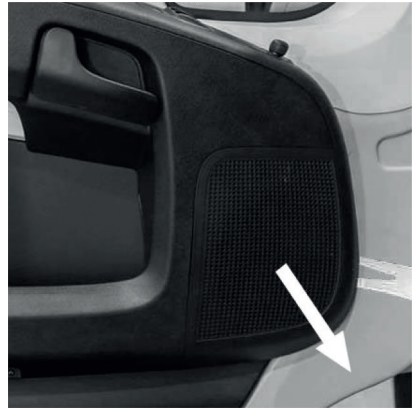
Installation

Tools that are needed

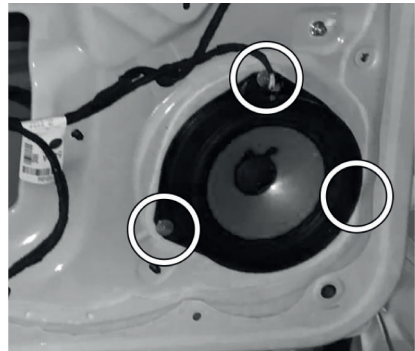
- Phillips screwdriver
- Screwdriver for slot screw. (ab 5mm)
- PRY tools (to avoid marks on the panels)

Start the dismount

Dismount the speaker grill by using the PRY tool.

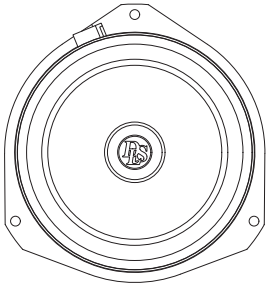


Unscrew the screws and store them in a safe position, to re-use when re-mounting the door panel.





Mounting the drivers



Place the new DLS Cruise driver in the hole for the original speaker. Use the OEM screws to safely mount the driver.

INFO: For those models that have different mounting than described above, we have included a rivet tool and 8 blind rivets.

Plug the speaker wire harness into the jack on the new DLS speaker.

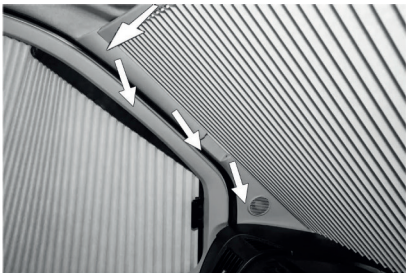
Mount the speaker grill by placing it over the driver and softly giving it a push by the hand, so that the grill snaps back in place.

Changing the tweeters

In most cases the tweeter is located behind the A-pillar. Remove the A-pillar simply by pulling it out. You can use PRY tools. In some cases you may loosen the door rubber seal.

If the vehicle is equipped with a front curtain, you have to loosen the screws at the top by the front window.

When the A-pillar and top of the curtain is loosen, be gentle when moving it.



Unscrew the old tweeter from the bracket and un-plug the jack. Remove the OEM tweeter from the bracket and replace it with the DLS tweeter. The flat bottom adapter can also be used for the assembly.

Use the four-leaf clover foam to secure the tweeter on the back of the A-pillar. For some models, the four-leaf clover needs to be adapted. Use a sharp scissor to modify it.



Hint:

1) If there is no place for the tweeter behind the A-pillar. The tweeter can be placed on the dashboard, near the A-pillar (Use the included bottom adapter). In this case, fix the tweeter with double adhesive tape or hot glue. Just make sure that the curtain has room to move freely

2) If there is a speaker location in the dashboard, you can use the flat-bottom adapter to mount the tweeter in the dashboard.

Connect the crossover with the PnP connector. Use the other adhesive foam to secure the crossover and cables.



The yellow cable loop is tweeter level select, enabling fine tuning of the high frequencies
Closed loop = -4dB (Shown in the picture)
Open loop = Normal



Finally

Start assembling the covers again to finish the work. Make sure that no screws or clips are left over, Reconnect the battery/power source terminal.

Finally, it's time to play some good music and enjoy!

Running-in time

Allow the component kit to play for at least 15-20 hours in order to perform at its possibly best. This run-in can be made with tone sweep or with just music.

Start at a moderate volume and increase the volume step by step during the running in period. After the 15-20 hour run in session the performance and characteristics will be in the correct condition.



DLS Support

For technical assistance, ask your car audio dealer where the product was sold or the distributor in your country. You can always contact the DLS Helpdesk in Sweden at e-mail: info@dls.se. Information can also be found on our WEB-site www.dls.se. We follow a policy of continuous advancement in development. For this reason, all or part of the specifications and designs may be changed without prior notice.



Specifications

Art. no CK-CRPP-1.6

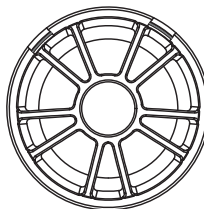
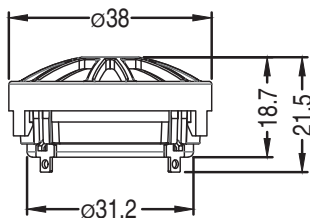
Woofers	6.5" /165 mm with glass fiber cone
Tweeter	1" / 25 mm silk dome tweeter with accessories
RMS Power	100 W
MAX Power	200W
Impedance	4 Ohm
Sensitivity	90dB 1W/1M
Freq. range	60Hz-25kHz
Crossover	4.8kHz 12dB/Oct with Mundorf caps
Attenuation	Tweeter -4dB/0db

DLS DRIVE CRPP-1.6 Tweeter

Technical Specification:	
Size	1" /2.54 mm
RMS Power	50 W
MAX Power	100W
Voice Coil Material	CCAW voice coil/ Aluminium former
Frame	Glass Fiber Reinforced ABS
Magnet	Neodymium/Copper shorting ring
Cone	Natural silk dome
Impedance	4 ohm
Freq. range	2000Hz-25kHz

Electro-Acoustic Parameters:

Re	3.5 Ohm
Fs	1993 Hz
SPL	94 dB 1W/1M



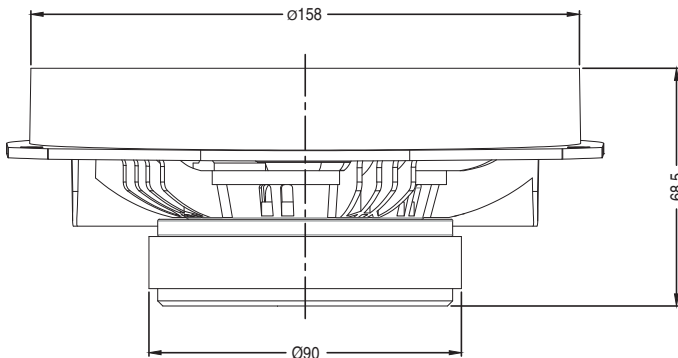
DLS DRIVE CRPP-1.6 Woofer

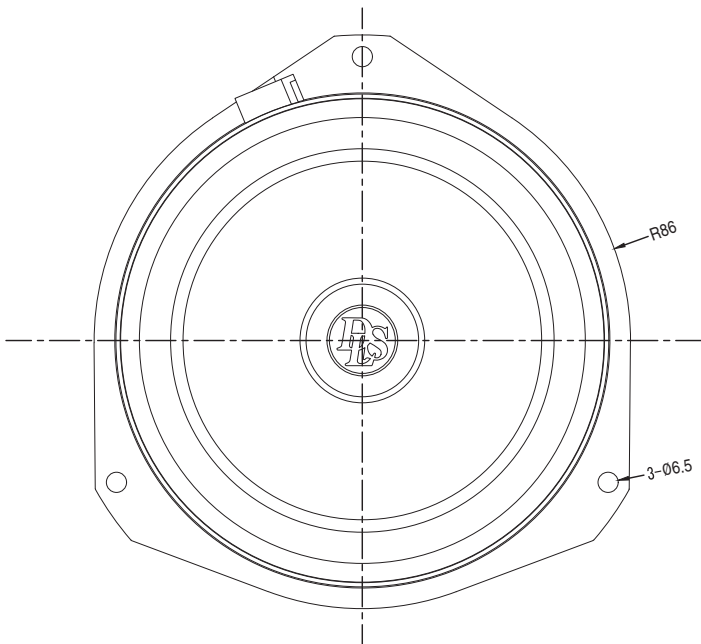
Technical Specification

Size	6.5" /165 mm
RMS Power	100 W
MAX Power	200W
Voice Coil Size	1" /25mm
Voice Coil Material	CCAW voice coil/ Kapton former
Basket	Glass Fiber Reinforced ABS
Magnet	Ferrite
Cone	Glass Fiber
Suspension	Rubber
Impedance	4 Ohm
Freq. range	60Hz-5kHz

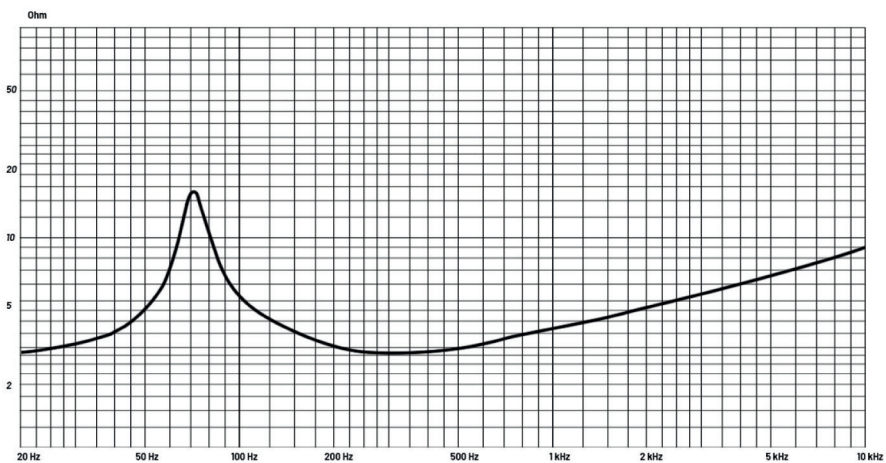
Electro-Acoustic Parameters

Re	2.99 Ohm
Fs	72.5 Hz
Mms	12.04 gr
Cms	0.401
Vas	10.86L
Qts	0.803
Qes	0.913
Qms	6.657
Bl	4.24 T.m
Spl	88.5 dB 1W/1M
Sd	139 cm ²





Impedance VS Frequency





DLS Cruise CRPP-1.6 compatible car models

Car	Model	Year	Front kit	Rear kit
Fiat	Ducato	2006 – 2020	CRPP-1.6	
Fiat	Grande Punto	2005-2018	CRPP-1.6	
Fiat	500	2007-	CRPP-1.6	
Fiat	Panda	2012 – 2020	CRPP-1.6	
Fiat	Punto	2009 – 2018	CRPP-1.6	
Fiat	Tipo	2016 – 2020	CRPP-1.6	
Ford	Ka	2009 – 2016	CRPP-1.6	
Citroën	Jumper	2006 – 2021	CRPP-1.6	
Citroën	Relay	2006-	CRPP-1.6	
Dacia	Dokker	2012 – 2018	CRPP-1.6	CRPP-1.6*
Dacia	Lodgy	2012 – 2018	CRPP-1.6	
Dacia	Sandero	2012 – 2018	CRPP-1.6	CRPP-1.6*
Iveco	Daily III	1999 – 2006	CRPP-1.6	
Iveco	Daily IV	2014 – 2021	CRPP-1.6	
Nissan	Almera	2000 – 2006	CRPP-1.6	
Nissan	Tiida	2007 – 2011	CRPP-1.6	
Opel	Tigra	1994 – 2001	CRPP-1.6	
Opel	Tigra Twin Top	2004 – 2009	CRPP-1.6	
Peugeot	Boxer	2006-	CRPP-1.6	
Vauxhall / Opel	Astra H	2005 – 2010	CRPP-1.6	
Vauxhall / Opel	Corsa D	2006 – 2014	CRPP-1.6	
Vauxhall / Opel	Corsa E	2015 – 2019	CRPP-1.6	
Vauxhall / Opel	Meriva	2003 – 2010	CRPP-1.6	
Vauxhall / Opel	Omega	1994 – 2003	CRPP-1.6	
Vauxhall / Opel	Vectra	2002 – 2008	CRPP-1.6	
Vauxhall / Opel	Vivaro	2001 – 2014	CRPP-1.6	
Vauxhall / Opel	Zafira	1999 – 2005	CRPP-1.6	
Vauxhall / Opel	Vectra C	2002 – 2008	CRPP-1.6	

***Disclaimer**

For those models that have different mounting of the woofer than described above, we have included a rivet tool and 8 blind rivets. Some tweeter mounting may be adjusted to fit your model. This guide have the woofer as reference. Component system fits in rear doors, if there is a location for tweeter.



Product markings



The crossed-out wheelee bin symbol means that the product, literature and packaging included must be taken to separate collection at the end of their working life. Do not dispose of these products as unsorted municipal waste: take them for recycling. For info on your nearest recycling point, check with your local waste authority.



This product has been granted with the CE certification mark to show that the product follows the health, safety, and environmental protection standards for products sold within the European Economic Area (EEA).



DLS products complies with the relevant provisions of the RoHS Directive for the European Union. In common with all Electrical and Electronic Equipment (EEE) the product should not be disposed of as household waste. Alternative arrangements may apply in other jurisdictions.



DLS is a global partner of the European Mobile Media Association, an organisation that focus on promoting the custom made mobile media installations to consumers.

We follow a policy of continuous advancement in development. For this reason all or part of specifications & designs may be changed without prior notice. We reserve for possible typos, factual or numeric errors that may have been printed on any products, package designs, user manuals and/or other included accessories.



CRUISE **E**